

The 12 series non-contact absolute position transducer is specially designed for parison control which dynamically control thickness of Parison to get a uniform thickness container on an Extrusion Blow Moulding machine.

The 12 series adopts the non-contact magnetostrictive measuring technology for precise, direct and absolute measurement. The absence of electrical contact on the cursor eliminates all wear and guarantees almost unlimited mechanical life expectancy. The non-contact (Floating) cursor provides exceptional ease of installation with a variety of available cursor position target.

The high versatile profile housing (need to match a suitable connector) offers full protection against outside agents for use in harsh environments with high contamination and presence of dust.



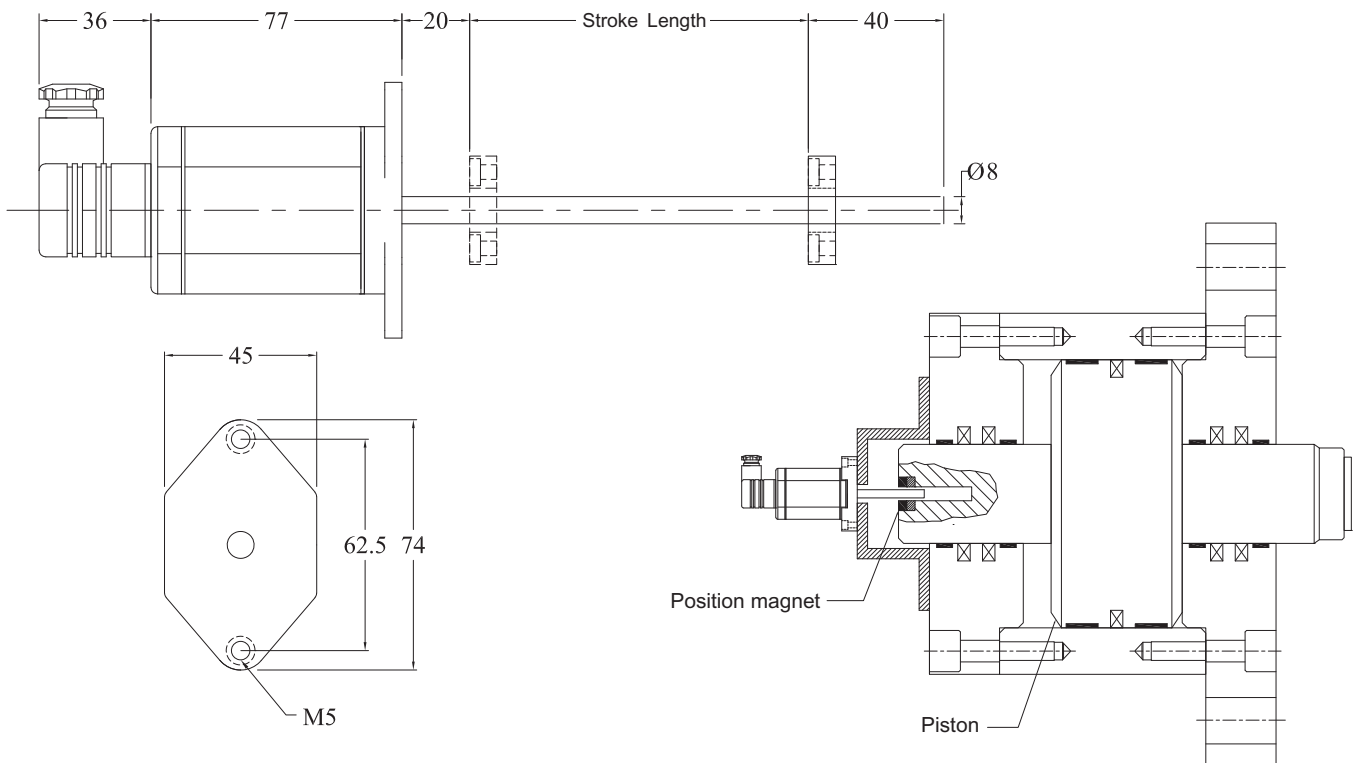
Specifications

Order Code	1 2 0	1 2 3
Output	0-10Vdc, 10-0Vdc dual-output	Start / Stop
Measurement Type	Linear displacement	
Resolution	Infinite, restricted by output ripple	0.1 / 0.01 / 0.005m
Input Voltage	+24Vdc (20.4 - 28.8Vdc)	
Input Protection	Polarity protection up to -30Vdc, Over voltage protection up to 36Vdc	
Current Consumption	50-140mA (stroke range dependent)	
Dielectric Strength	500Vdc (DC ground to machine ground)	
Repeatability	< ±0.005% of full scale	
Non-Linearity	< ±0.01% of full scale (minimum ±90µm)	
Update Time	0.2 ms	
Mounting	M5 x 2	
Housing Material	Anodized aluminum	
Operation Temp.	-40 to 75°C, Humidity 90% non-condensing	
Sealing	IP65 / IP67 (with connector)	
Vibration Rating	15g / 10-2000Hz / IEC standard 68-2-6	
Shock Rating	100g single hit per IEC standard 68-2-27	
EMC	Emission EN 61000-6-3, Immunity EN 61000-6-2 EN 61000-4-2/3/4/6	

Infinite resolution ...

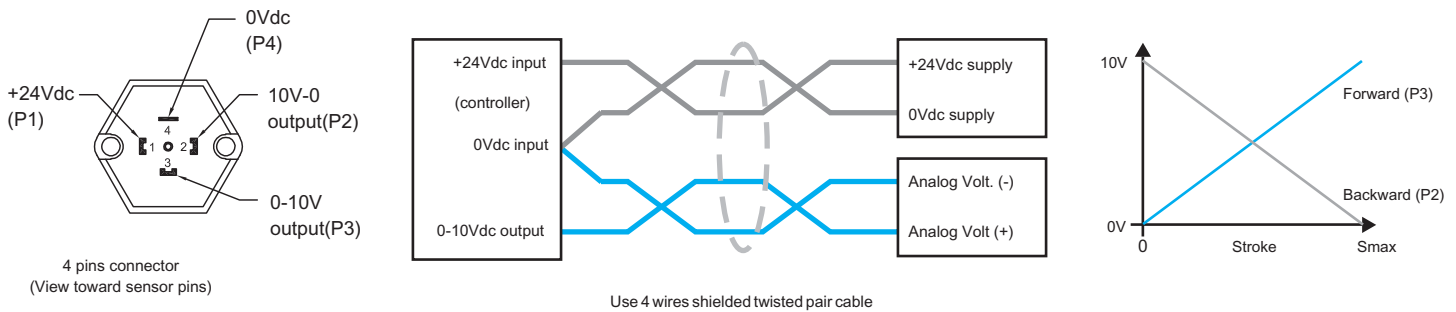


Dimension and Installation

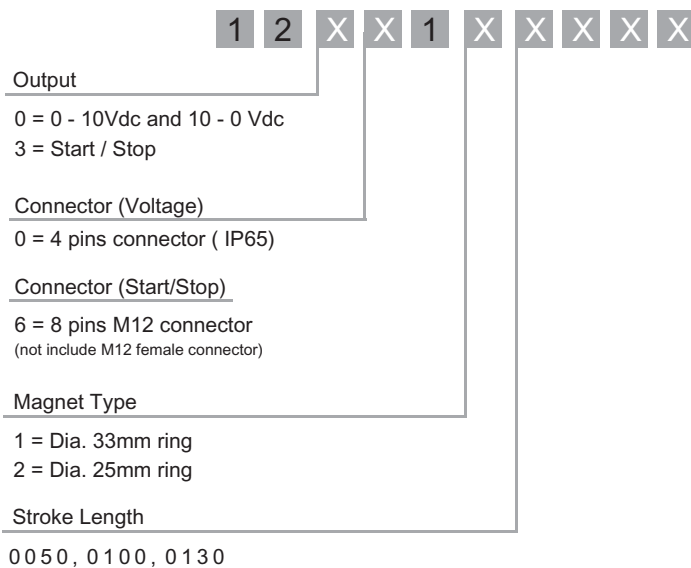


Wiring Connection

Analog Voltage



Order Code



Start/Stop Digital

